

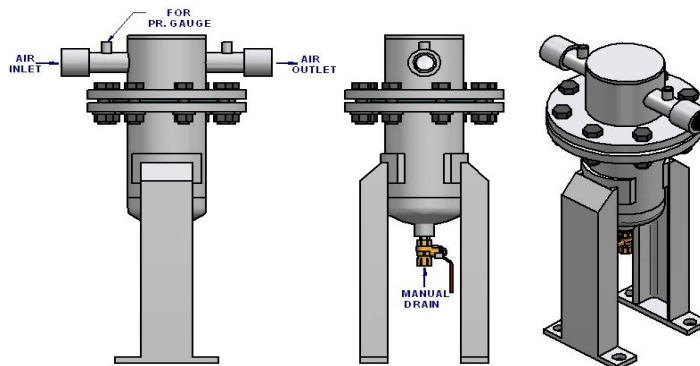
**AIR FILTERS
(DELPET SERIES)**

AIR FILTERS SPECIAL WITH

SPECIAL FEATURES	OPTIONAL FEATURES	STD. WORKING PARAMETERS
<ul style="list-style-type: none"> Wide range of 14 standard models Capacities from 18.0 m3/hr to 850 m3/hr. Higher capacities - available on request Compact design Low pressure drop Filter housing in accordance with international design code like - ASME, IS-2825 Duly tested – pneumatically & hydrostatically Standard BS threads &/or flange conn. High working life Filter media – sintered bronze & borosilicate glass fibre for filtration efficiency upto 99.98% and residual oil upto 0.01 ppm 	<ul style="list-style-type: none"> Auto drain valve Special filters for alkaline, acid gases for aggressive oils Differential pressure gauge 	<ul style="list-style-type: none"> Pressure :- upto 14 kg/cm2(g) Temperature :- 60°C

Specification Sheet for MS Filters

MODEL NO.	CAPACITY IN M3/HR	MICRON RATING FOR FILTRATION			CONNECTION (IN MM)
		PRE/AFTER FILTER (PF/AF)	FINE FILTER (FF)	MICRO FILTER (OF)	
FTR-P-18	18	5/5	1	0.01	½" BSP
FTR-P-25	25	5/5	1	0.01	½" BSP
FTR-P-54	54	5/5	1	0.01	½" BSP
FTR-P-110	110	5/5	1	0.01	¾" BSP
FTR-P-150	150	5/5	1	0.01	1" BSP
FTR-P-180	180	5/5	1	0.01	1" BSP
FTR-P-220	220	5/5	1	0.01	1" BSP
FTR-P-290	290	5/5	1	0.01	1" BSP
FTR-P-360	360	5/5	1	0.01	2" FLANGE
FTR-P-430	430	5/5	1	0.01	2" FLANGE
FTR-P-540	540	5/5	1	0.01	2" FLANGE
FTR-P-600	600	5/5	1	0.01	2" FLANGE
FTR-P-720	720	5/5	1	0.01	2" FLANGE
FTR-P-850	850	5/5	1	0.01	3" FLANGE



ALL DATA SUBJECT TO CHANGE WITHOUT NOTICE