

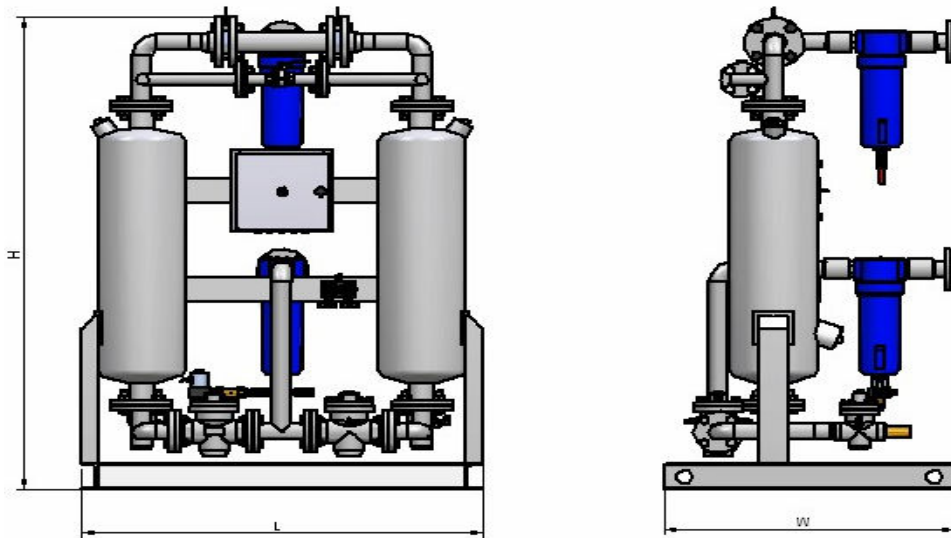
**HEATLESS DRYER
 DC GOLD SERIES**

DC GOLD SERIES HEATLESS DRYER DRIED AIR CONTINUOUSLY COME STANDARD WITH

SPECIAL FEATURES	OPTIONAL FEATURES
Wide range of 11 Standard models with capacities from 55 nm ³ /hr. To 1700 nm ³ /hr. higher capacities are available on request Pressure dew point achievable (-) 40°C and below Electronic controls/solid state timers for automatic and reliable operation Low power consumption Equipped with muffler on purge air outlet to reduce noise level Specially graded desiccant <i>Delsorb</i> 10 for optimum performance and long life	Humidity indicator Filters and/or total dryer by pass line with valves. Special delair filters for removal of water, oil mists, oil vapour and dust particles with electronically operated drain valves Explosion proof controls for offshore application Construction according to various codes

Specification sheet for DC Gold Series Heatless Dryer

MODEL No.	CAPACITY IN NM ³ /HR. PRESSURE IN BAR (G)							CONNECTION BSP FEMALE / FLANGE (IN INCHES)	DIMENSIONS (IN MM)			WEIGHT (IN KG)
	4	5	6	7	8	9	10		L	W	H	
DC-G-124	34.2	41.0	47.9	54.7	61.5	68.4	75.4	1/2 BSP	550	420	1250	70
DC-G-125	45.7	54.8	63.9	73.0	82.2	91.3	100.5	1/2 BSPF	580	420	1210	80
DC-G-126	68.4	82.0	95.7	109.5	123.0	136.8	150.5	3/4 F	735	550	1280	115
DC-G-127	103.0	123.0	144.0	164.0	185.0	205.0	226.0	1 F	760	650	1300	145
DC-G-128	182.0	219.0	255.0	291.0	328.0	365.0	401.0	1.1/2 F	1000	725	1450	220
DC-G-129	275.0	329.0	384.0	439.0	494.0	549.0	604.0	1.1/2 F	1000	775	1725	250
DC-G-130	398.0	478.0	557.0	637.0	717.0	796.0	876.0	2 F	1220	1400	1750	580
DC-G-131	524.0	629.0	734.0	839.0	944.0	1048.0	1153.0	2 F	1275	1400	1800	630
DC-G-132	662.0	794.0	926.0	1058.0	1190.0	1323.0	1455.0	2 F	1310	1450	1750	700
DC-G-133	844.5	1012.4	1181.5	1352.0	1518.5	1690.0	1858.2	2.1/2 F	1610	1550	1850	850
DC-G-134	1055.6	1265.5	1476.5	1690.0	1898.2	2111.3	2322.7	3 F	1835	1750	1970	1100



SKID MOUNTED

ALL DATA SUBJECT TO CHANGE WITHOUT NOTICE